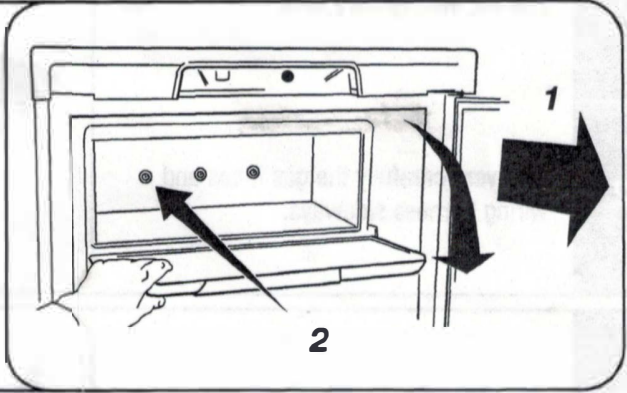
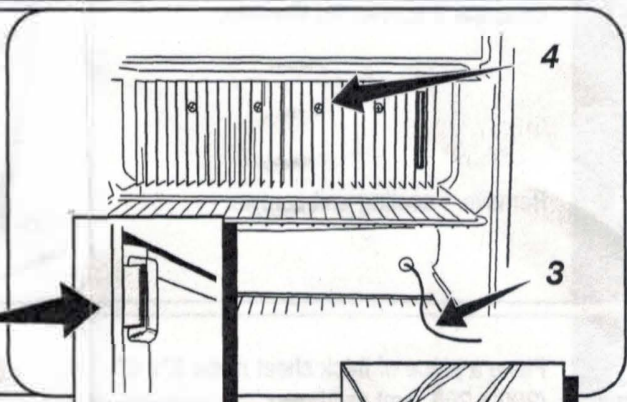
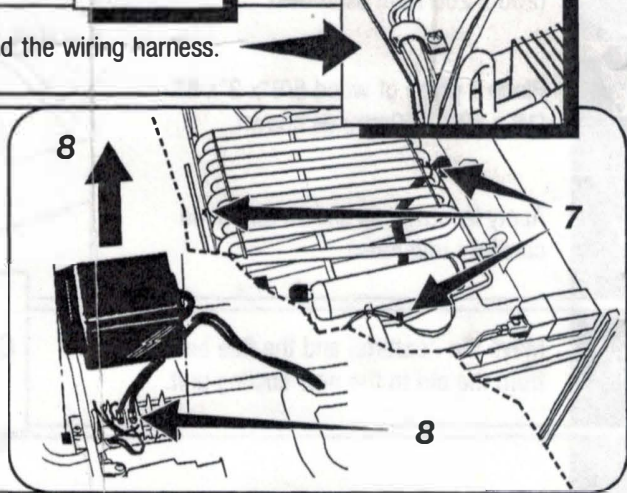
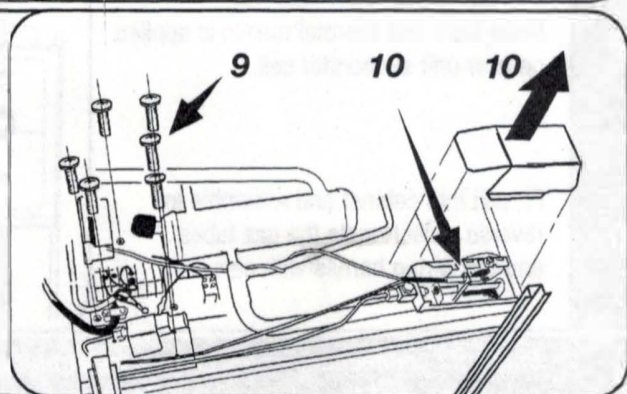


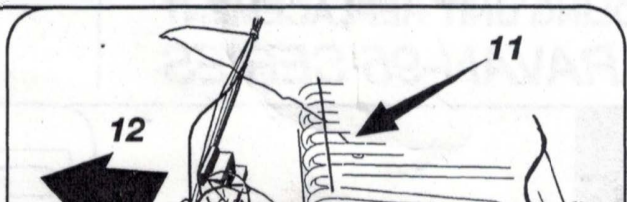
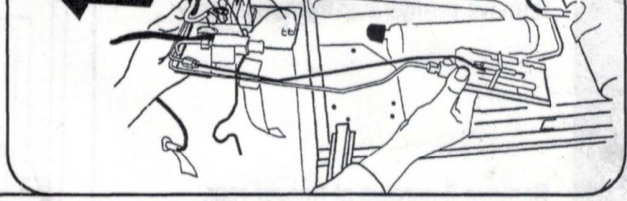
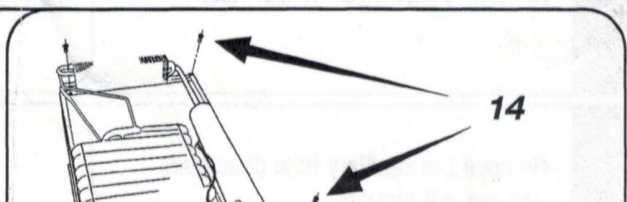
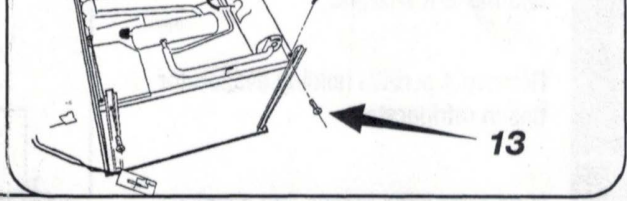
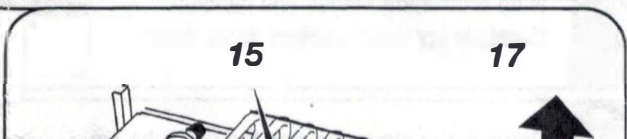

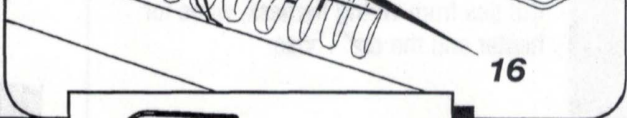
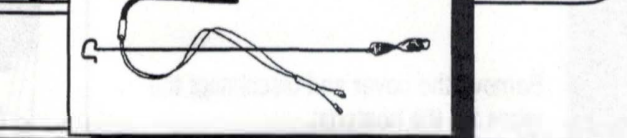
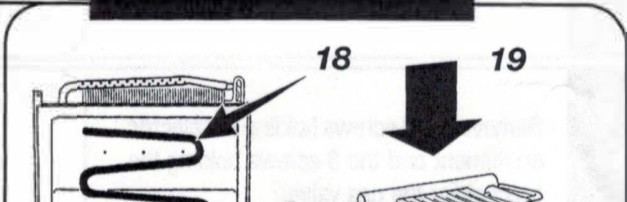
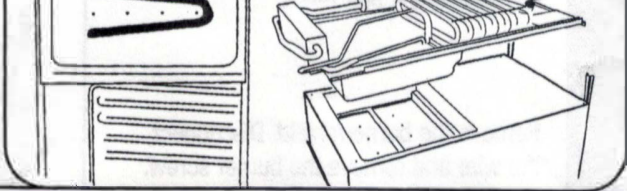
COOLING UNIT REPLACEMENT

RM 2452
RM 2453

RM 2552
RM 2553

1	Remove refrigerator from recess.	
2	Remove 3 screws at freezer rear.	
3	Remove the capillary tube (2 screws) and make it straight.	
4	Remove 4 screws holding evaporator fins in refrigerator.	
5	Note protruding hinges and handles. Carefully lay down cabinet doors down.	
6	Remove the clamp holding the gas tube and the wiring harness.	
7	Cut ties from wiring harness, wires for heater and the drain hose.	
8	Remove the cover and disconnect the wires for the heater(s).	
9	Remove the 3 screws holding the electric equipment and the 3 screws holding the bracket for the gas valve.	
10	Remove the burner/shield. Disconnect the wire and remove the burner screw.	

Please see reverse side 

11	Pull out the capillary tube.	
12	Fold very carefully the gas tubes and wiring harness sideways.	
13	Undo the 2 screws for the rails.	
14	Remove 4 cooling unit screws.	
15	Place a piece of thick sheet metal 8"x 8" (200 x 200 mm) as shown.	
16	Place a piece of wood 5/8"x 2"x 6" (16 x 50 x 150mm) as shown.	
17	Apply leverage as shown and bend carefully unit loose.	
18	Move the heater(s) and the flue baffle from the old to the new cooling unit.	
19	Make sure that thermal mastic is applied on new unit evaporator coil.	
20	Fit unit into cabinet and assemble in reverse order. Handle the gas tubes and the wiring harness with care.	
21	Check all connections in the LP gas system for gas leaks. Note that the connections under the cover on top of the refrigerator. Refer to installation and operating instructions.	